

HB650I24 Series

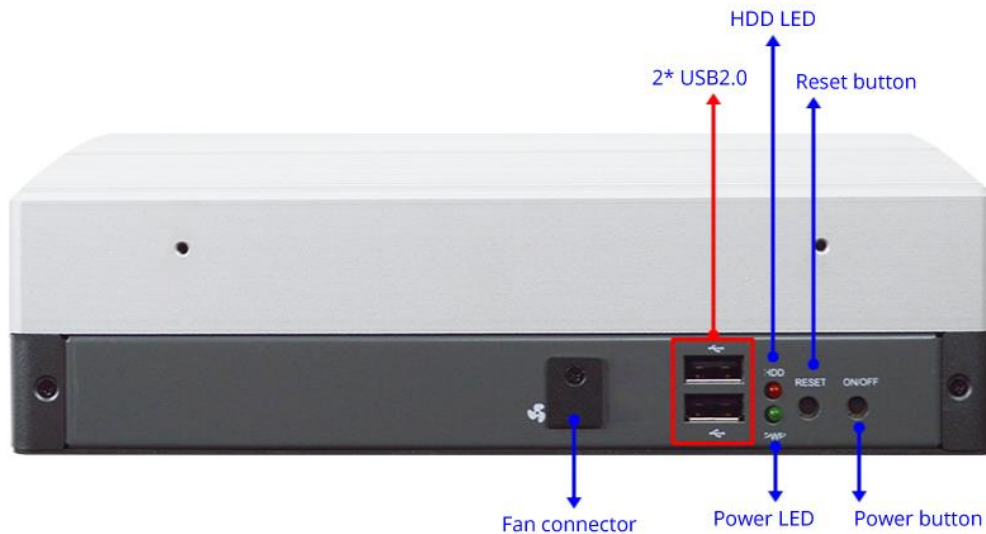
Intel® 13th Raptor Lake-P Processor, DDR5 5200MHz up to 64GB

Features

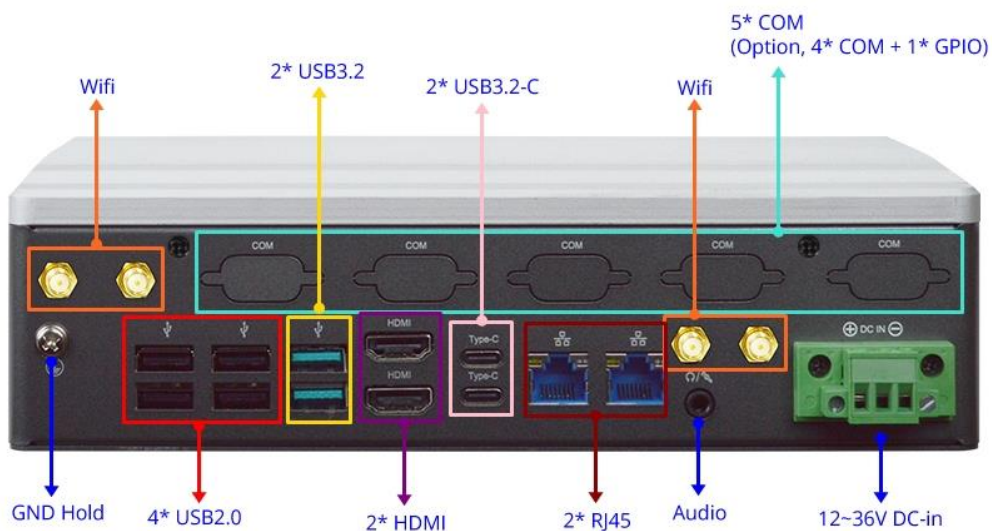
1. Intel® 13th Raptor Lake-P Processor
2. 2* DDR5 5200MHz SO-DIMM up to 64GB
3. 10* USB, 2* RJ45, 1* Audio combo, 2* HDMI, 5* COM
4. 1* M.2 M-key 2280, 1* M.2 M-key 2242, 1* M.2 E-key 2230, 1* M.2 B-key 3042/3052
5. Support TPM2.0 (option)
6. Dimensions: 224 * 199 * 63 mm
7. Adapter DC19/120W



Front I/O



Rear I/O

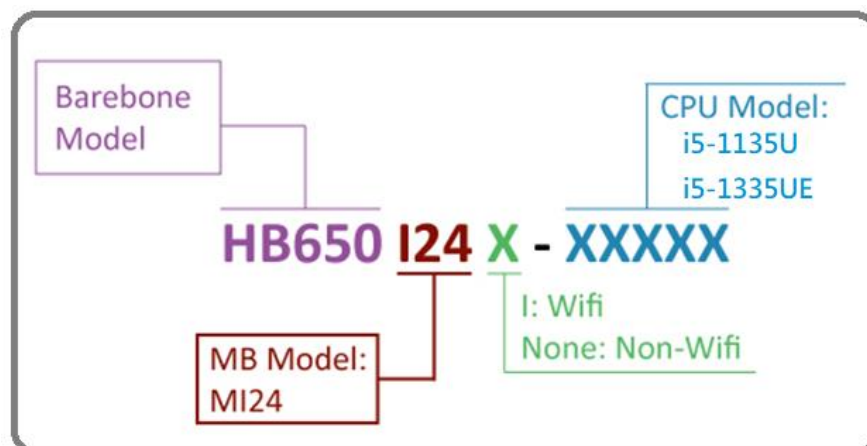


Specifications

Model	<ul style="list-style-type: none"> • HB650I24-1335U (non-WiFi) & HB650I24I-1335U (WiFi) • HB650I24-1335UE (non-WiFi) & HB650I24I-1335UE (WiFi)
CPU / Chipset	<ul style="list-style-type: none"> • Intel® 13th Raptor Lake-P Processor (15W TDP)
MB model	<ul style="list-style-type: none"> • MI24-13350B (i5-1335U/15W) • MI24-133E0B (i5-1335UE/15W)
BIOS	<ul style="list-style-type: none"> • AMI Flash ROM BIOS
Memory	<ul style="list-style-type: none"> • 2* DDR5 5200MHz SDRAM SO-DIMM up to 64GB
Network	<ul style="list-style-type: none"> • 1* Intel i225-LM 2.5GbE • 1* Intel i225-V 2.5GbE
Graphics	<ul style="list-style-type: none"> • Intel® Iris® X^e Graphics, shared memory • 2* HDMI 2.0b (Max Resolution: 4096x2160@60Hz) • 2* DP 1.4a (Max. Resolution: 4096* 2304@60Hz) from Type-C • Support Quad Displays
Audio	<ul style="list-style-type: none"> • HD audio: Realtek ALC888S + 3W Amplifier
Storage	<ul style="list-style-type: none"> • 1* M.2 M-key (2242/2280, PCIe Gen.4x4 interface) support NVMe • 1* M.2 M-key (2242, SATA interface)
Expansion	<ul style="list-style-type: none"> • 1* M.2 E-key (2230, USB2.0/PCIe x1 interface) support CNVi for WiFi • 1* M.2 B-key (3042/3052, USB3.1/USB2.0/PCIe x1 interface) for 4G/5G module
Rear Panel I/O	<ul style="list-style-type: none"> • 2* RJ45 • 2* USB3.2 (Gen.2) • 2* USB3.2 (Gen.2) Type-C support DP ALT mode & PD 5V/3A • 4* USB2.0 • 2* HDMI • 1* Audio combo (Line out+ Mic) • 1* DC in (Industrial Connector) • 5* COM (2* RS232/422/485, 3* RS232)
Front Panel I/O	<ul style="list-style-type: none"> • 1* Power button , 1* Reset button • 1* Power LED , 1* HDD LED • 2* USB2.0 • 1* FAN Expansion con (The external fan module needs to be purchased separately)
Internal Connector	<ul style="list-style-type: none"> • SIM Card Holder
Power Source	<ul style="list-style-type: none"> • Adapter : AC 90~240V input / DC19V_120W output • System : DC12~36V input (Wide Voltage Power Board build inside)
Compliance	<ul style="list-style-type: none"> • CE, FCC, LVD, RoHS, ErP Ready
Dimensions	<ul style="list-style-type: none"> • System : 224 (W) * 199 (D) * 63 (H) mm • Package : 406 (W) * 359 (D) * 148 (H) mm • Net Weight: 4 KG: Gross Weight:5 KG
Temperature	<ul style="list-style-type: none"> • Operating Temperature: -20 ~ 60° C (Under the condition of using M.2 interface SSD) • Storage Temperature: -40 ~ 85° C • Humidity: 10% ~ 95% RH @40°C (non-condensing)
OS Support	<ul style="list-style-type: none"> • Windows 11, Linux
Warranty	<ul style="list-style-type: none"> • 2 Years limited warranty

* Specifications subject to change without notice, not responsible for typographical errors. Does not include HDD or OS.

Part Number Rules



Standard Accessories

Part Number	Description
-----	HB650I24 series
-----	1* WALL MOUNT KITS
L01AS056-F	1* Adapter DC19V_120W
Change according to shipping area	1* Power cord
LCSCHBFDXXX-F	1* Screw Pack
LCSCHBJC3XX-F	1* Screw Pack
HCS3XXDINRAILPS-F	2* DIN RAIL CLIP
J05-ANT-GX57245-F	2* Antenna 2G4/5G 2.8dBi (WiFi model only)
HCFAN65X-DC1225	1*DC1225 FAN Expansion module (option)

Mechanical Drawings (Unit=mm)

