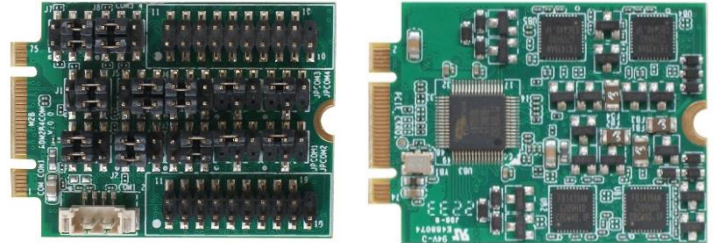


JADM2B4COM

M.2 B-key COM card

Features

1. FINTEK F81504U
2. FINTEK F81439AN
3. Support 5V/12V TTL
4. M.2 B-key 3042 size



Specifications

Model

JADM2B4COM

Processor System

- FINTEK F81504U chipset
- FINTEK F81439AN controller

Compliance

Lightning strike test:

- Common mode: Support 1000V
- Differential mode: Support 500V

Warranty

2 Years limited warranty

Form Factor

30 x 42mm (M.2 B-key)

Internal Connector

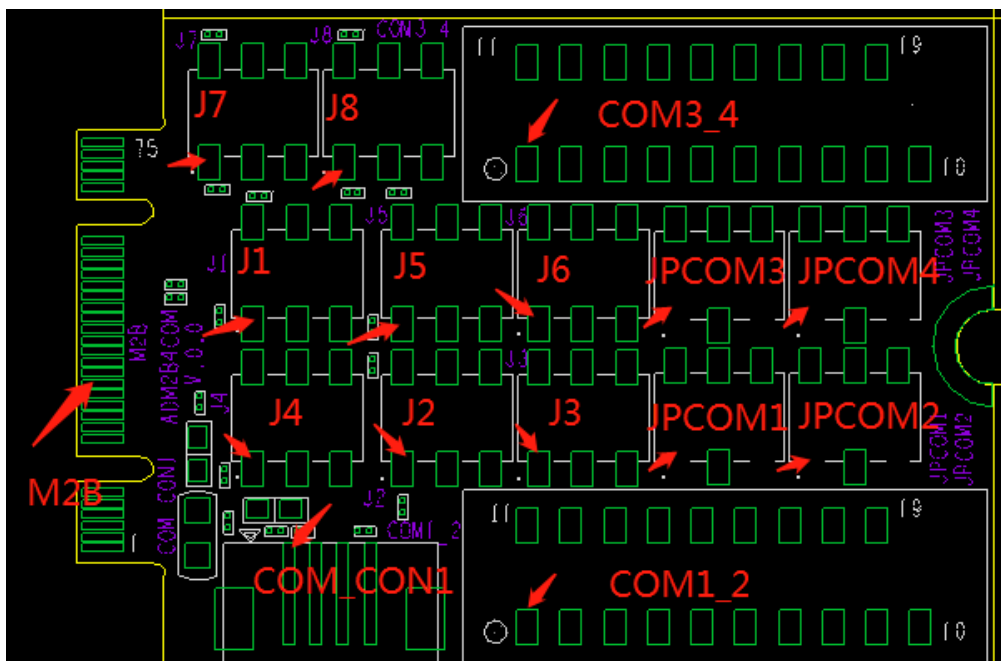
- 4* COM (RS232/422/485)
- 12* jumper
- 1* DC-in (5/12V)

Temperature

- Operating Temperature: -10 ~ 60° C
- Storage Temperature: -20 ~ 70° C
- Humidity: 10% ~ 90% RH @40°C (non-condensing)

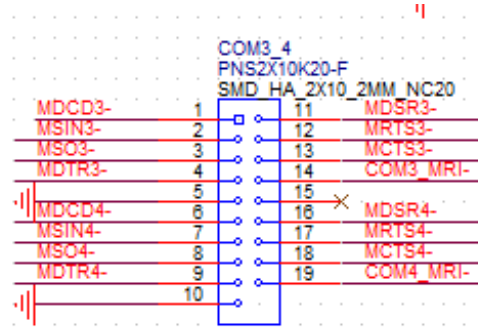
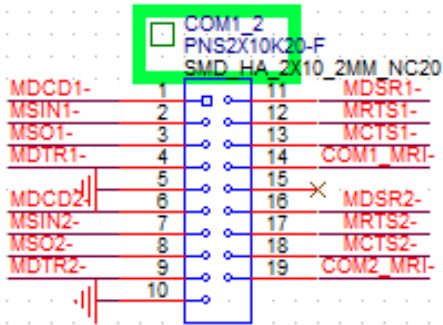
* Specifications subject to change without notice, not responsible for typographical errors. Does not include HDD or OS.

PIN Assignment

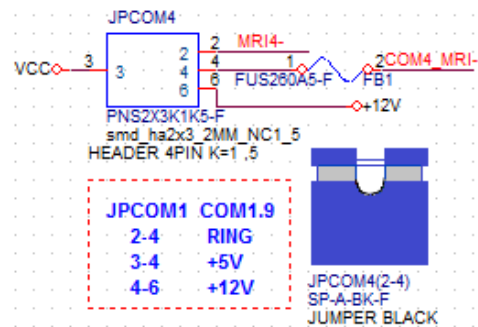
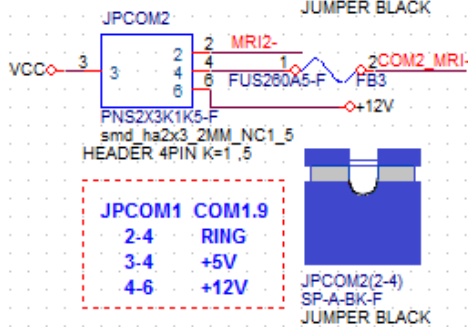
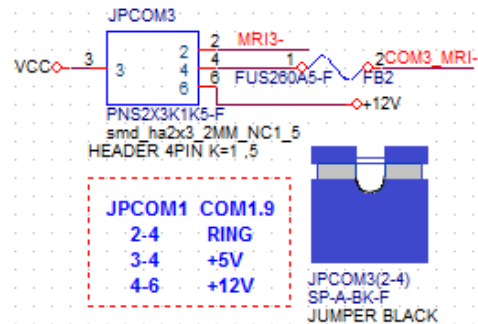
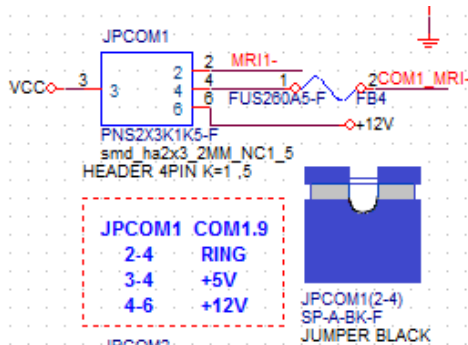


PIN Define

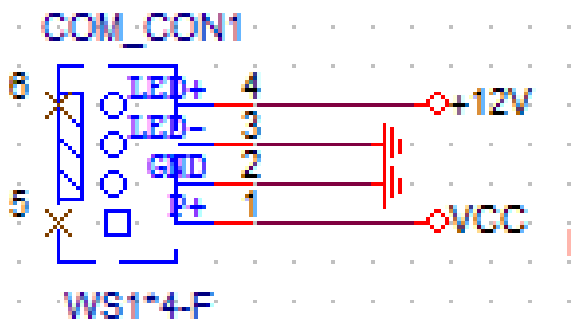
COM1_2 & COM3_4:



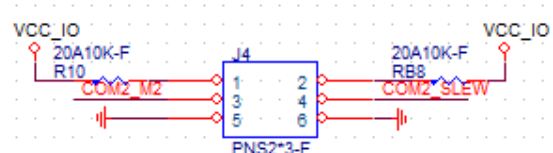
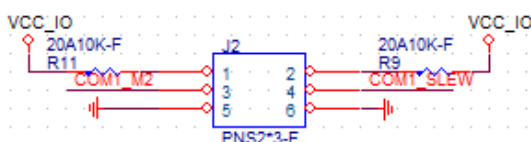
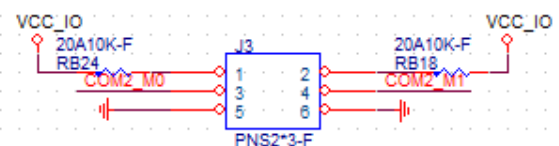
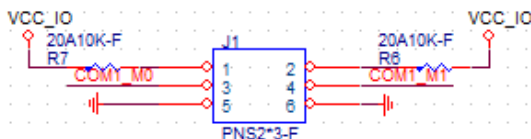
JCOM1 ~ JCOM4:

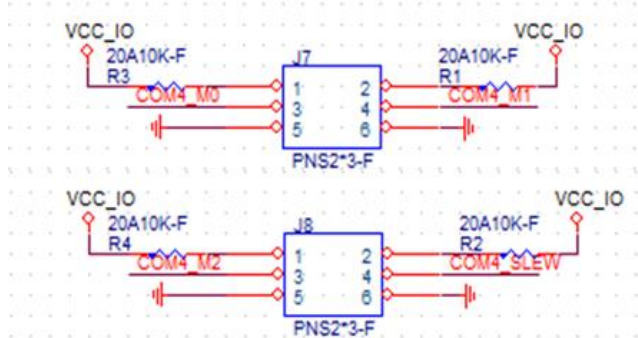
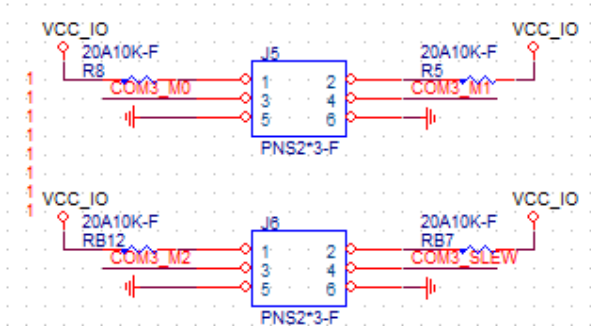


COM_CON1:



J1 ~ J8:





COM1 ~ COM4 Change settings:

RS232 :

- J1(3-5)+J1(4-6)+J2(1-3) COM1 RS232
- J3(3-5)+J3(4-6)+J4(1-3) COM2 RS232
- J5(3-5)+J5(4-6)+J6(1-3) COM3 RS232
- J7(3-5)+J7(4-6)+J8(1-3) COM4 RS232

RS422:

- J1(3-5)+J1(4-6)+J2(3-5) COM1 RS422
- J3(3-5)+J3(4-6)+J4(3-5) COM2 RS422
- J5(3-5)+J5(4-6)+J6(3-5) COM3 RS422
- J7(3-5)+J7(4-6)+J8(3-5) COM4 RS422

RS485

- J1(3-5)+J1(2-4)+J2(3-5) COM1 RS485
- J3(3-5)+J3(2-4)+J4(3-5) COM2 RS485
- J5(3-5)+J5(2-4)+J6(3-5) COM3 RS485
- J7(3-5)+J7(2-4)+J8(3-5) COM4 RS485