

ACTIVE HEATSINK F5000-C023

Motherboard Accessories



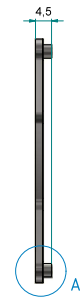
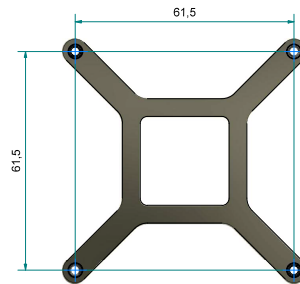
Active Heatsink Kit for Mini-STX Motherboards D3714-Rx, D3714-V2 and D3724-R

- ▶ Designed for the AMD Ryzen™ Embedded V1000/R1000/R2000 processor series
- ▶ Aluminium with fan
- ▶ Max. 25 W TDP
- ▶ Spring-loaded mounting screws for specified downforce
- ▶ Weight: ~176 g (cooler) + 21 g (backplate)

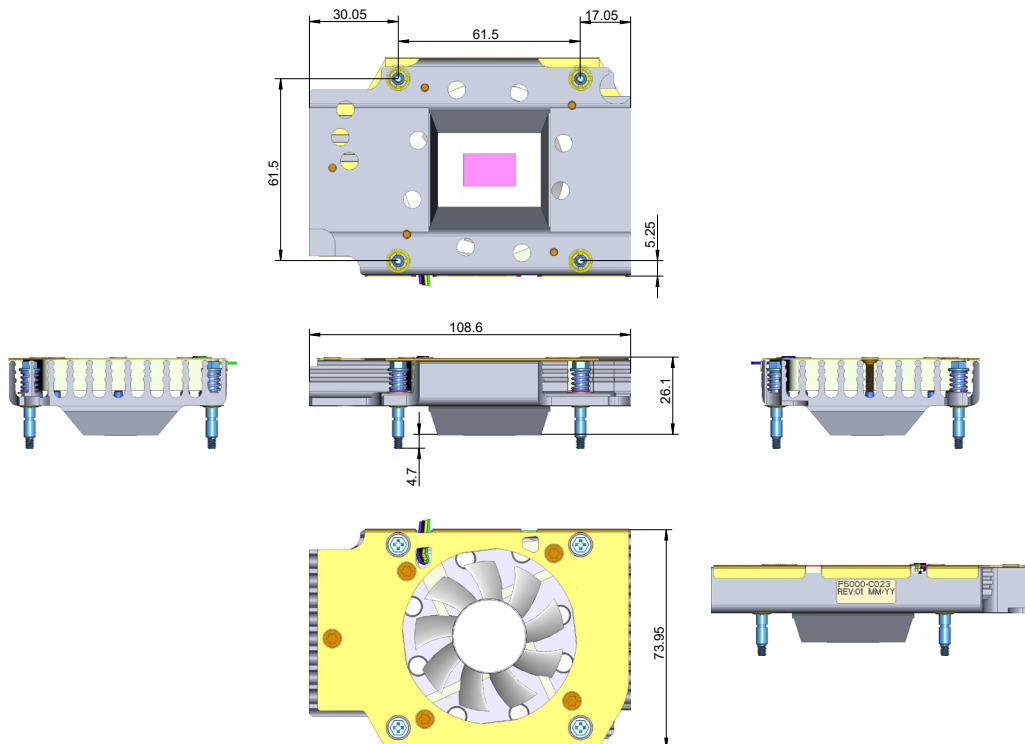
TECHNICAL INFORMATION

FAN DIMENSIONS	60 x 60 x 10 mm
OPERATING VOLTAGE	12 V; PWM
POWER CONSUMPTION	max. 0.2 A/2.4 W @ 100 % PWM 4.200 rpm +/- 10 % @ 100 % PWM Max. 33 dB(A) @ 100 % PWM Two ball bearing, fan cable = 120 mm
MTBF	60.000 hrs @ 35 °C
OPERATING TEMPERATURE	-10 °C...70 °C
RECOMMENDED MOUNTING SCREW TORQUE	max. 0.8 Nm
MOUNTING BACKPLATE	Metal backplate, provides 4 mounting threads for heatsink
BACKPLATE MOUNTING HOLES	M3; hole spacing = 61.5 mm x 61.5 mm
SUPPORTED MOTHERBOARDS	D3714-Rx, D3714-V2, D3724-Rx

BACKPLATE



DIMENSION



▶ ORDERING INFORMATION

ARTICLE	PART NO.	DESCRIPTION
ACTIVE HEATSINK	F5000-C023	Package contains 40x active cooler incl. 40x backplate

▶ GLOBAL HEADQUARTERS

Kontron Europe GmbH

Gutenbergstraße 2
85737 Ismaning, Germany
Tel.: +49 821 4086-0
Fax: +49 821 4086-111
info@kontron.com

www.kontron.com