

Active Mini-ITX/STX Heatsink

F5000-C026 | Motherboard Accessories

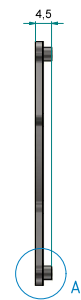
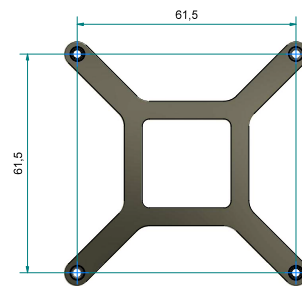


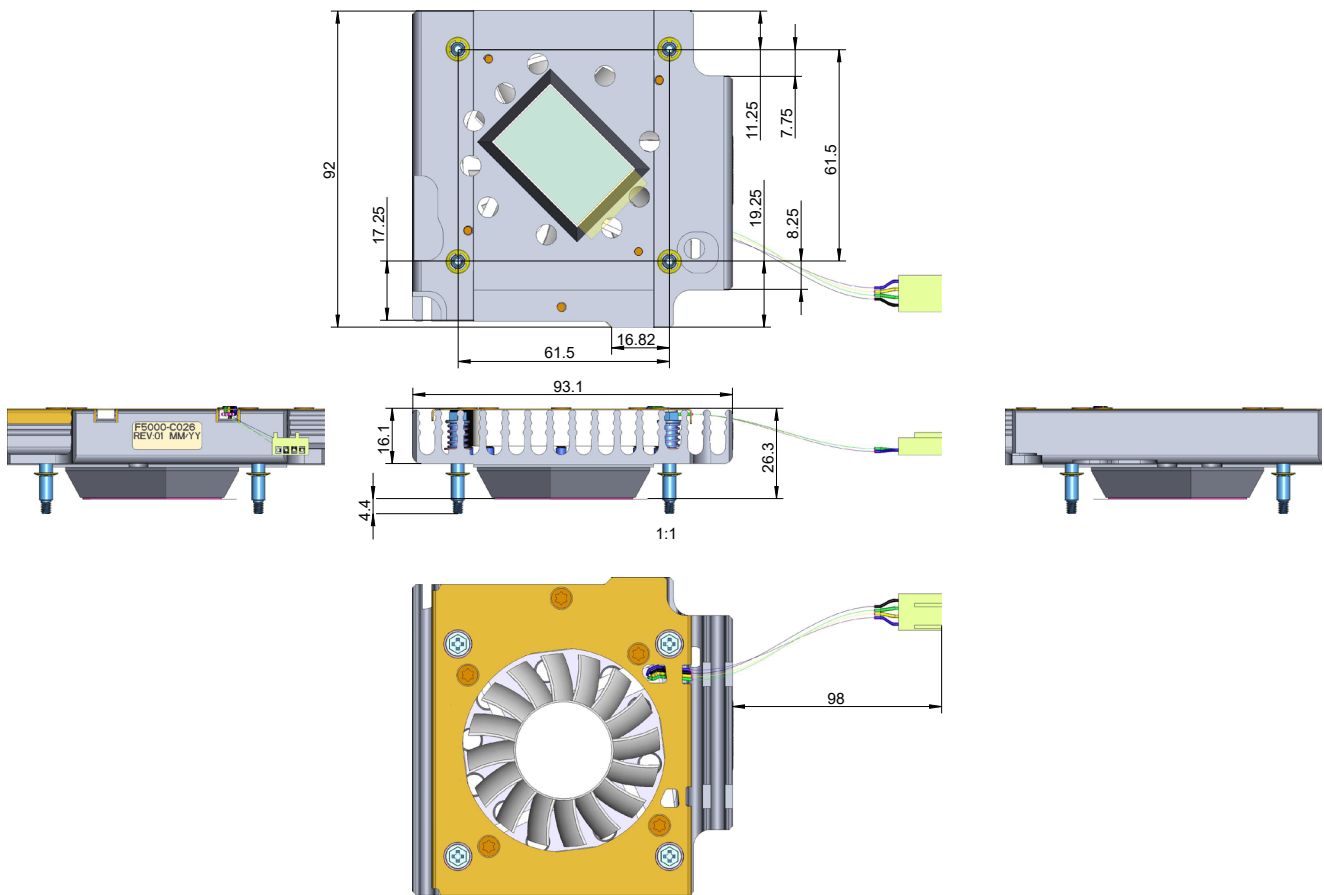
Active Heatsink Kit for K392x- Mini-STX motherboard series and K393x- Mini-ITX motherboard series

- ▶ Designed for the Intel® Processor and Core™ i3 Alderlake-N series up to 15W TDP
- ▶ Aluminium with fan
- ▶ Max. 15 W TDP
- ▶ Spring-loaded mounting screws for specified downforce
- ▶ Weight: ~200 g (cooler) + 21 g (backplate)

FAN DIMENSIONS	60 x 60 x 10 mm
OPERATING VOLTAGE	12 V; PWM
FAN SPECIFICATION	max. 0.2 A/2.4 W @ 100 % PWM 4.200 rpm +/- 10 % @ 100 % PWM Max. 33 dB(A) @ 100 % PWM Two ball bearing, fan cable = 120 mm
MTBF	60.000 hrs @ 35 °C
OPERATING TEMPERATURE	-10 °C...70 °C
RECOMMENDED MOUNTING SCREW TORQUE	max. 0.8 Nm
MOUNTING BACKPLATE	Metal backplate, provides 4 mounting threads for heatsink
BACKPLATE MOUNTING HOLES	M3; hole spacing = 61.5 mm x 61.5 mm
SUPPORTED MOTHERBOARDS	K3921-N, K3921-H, K3931-N, K3932-N

Backplate





Ordering Information

ARTICLE	PART NO.	DESCRIPTION
ACTIVE HEATSINK	F5000-C026	Package contains 40x active cooler incl. 40x backplate

Global Headquarters

Kontron Europe GmbH

Gutenbergstraße 2
 85737 Ismaning, Germany
 Tel.: + 49 821 4086-0
 info@kontron.com

www.kontron.com

