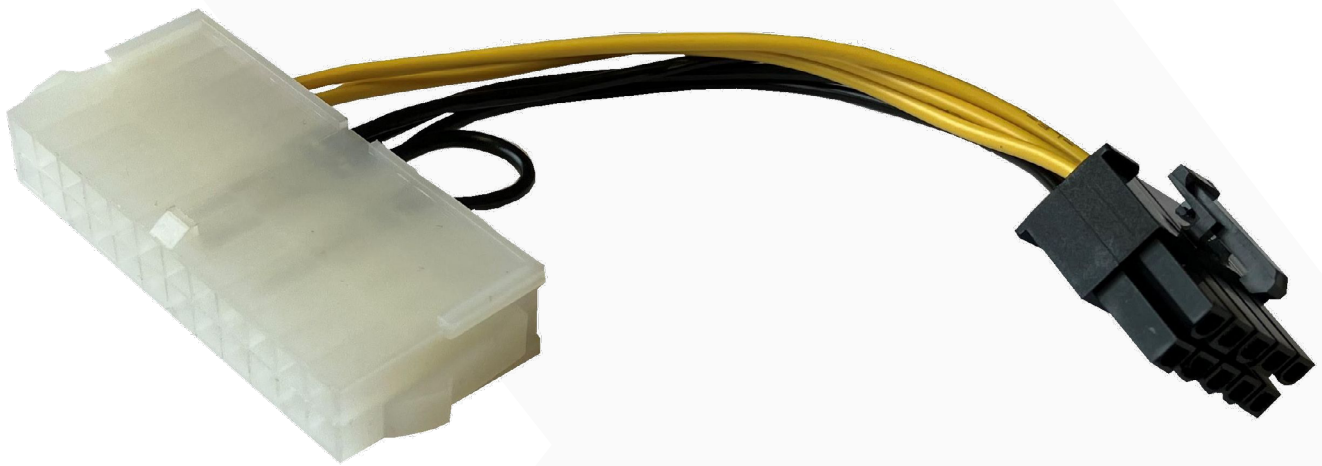


DC-In Adapter Cable for K3832-Q

F5000-K015 | Motherboard Accessories



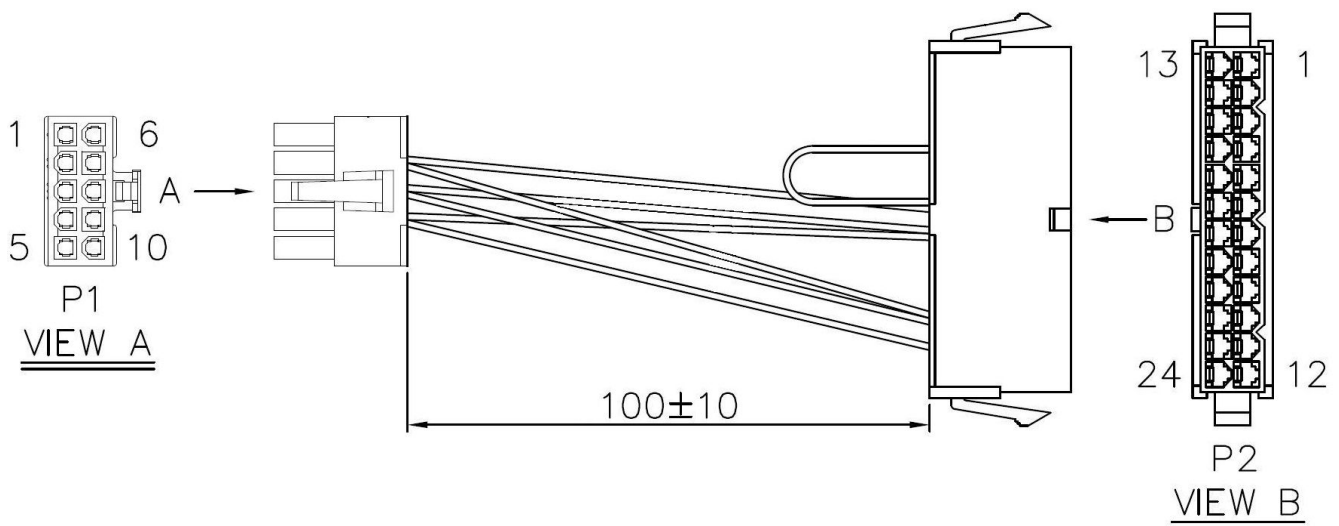
Dual-purpose DC input cable for 10-pin power connector of K3832-Q

- ▶ Multirail PSU (24-pin) as Single 12 V source for the 10-pin power connector of K3832-Q
- ▶ or Connect an existing single 12V DC-In solution previously designed for D343x-S or D363x-S motherboards (24-pin power connector) to the 10-pin power connector of K3832-Q

PHYSICAL SPECIFICATIONS	Cable length ~ 100 mm
CONNECTOR 1	CviLux CP-01110031-X22 (or compatible), fits to motherboard 10-pin power connector
CONNECTOR 2	Joint Tech 24P C4255HM-2X12P (or compatible), fits to multirail PSU 24-pin power connector
SUPPORTED POWER SUPPLY SIGNALS	+12 V, GND, PS_ON*
SUPPORTED MOTHERBOARD	K3832-Q

*) PS_ON signal hardwired to GND

Cable Connectors



Wiring Table

P1*	SIGNAL	WIRE COLOR	SIGNAL	P2*
		Black	PS_ON**	16
2	GND	Black	GND**	18
3	GND	Black	GND	19
4	GND	Black	GND	19
7	+12 V_Aux	Yellow	+12 V	10
8	+12 V	Yellow	+12 V	10
9	+12 V	Yellow	+12 V	11

*) All other pins are not connected

***) PS_ON signal (for multirail PSU) is hardwired to GND (= power on mode)

In order to operate the motherboard, the onboard 4-pin power connector (+12V/GND for processor) must be connected by a separate cable. This component is not included in F5000-K015.

In case a multirail PSU is used for K3832-Q, all voltage rails (except for +12V) must support zero load.

When using F5000-K015 to connect an existing single 12V DC-In solution previously designed for D343x-S or D363x-S mother-

boards (24-pin power connector) to K3832-Q (10-pin power connector), please consider that K3832-Q provides no output power (+5V/+3.3V) via the 10-pin power connector.

K3832-Q offers a separate 2-pin connector providing +5V/GND output power, e.g. for SSD drives.

For detailed power supply requirements of K3832-Q see related TechNotes document.

Ordering Information

ARTICLE	PART NO.	DESCRIPTION
DC-In AdapterCable 10Pin_24Pin	F5000-K015	DC input adapter cable 10-pin to 24-pin for K3832-Q

Global Headquarters

Kontron Europe GmbH

Gutenbergstraße 2
85737 Ismaning, Germany
Tel.: + 49 821 4086-0
info@kontron.com

www.kontron.com

